

# SIAM

## FRONT PLATE

## FACE AVANT

### Description

Material : full brass.

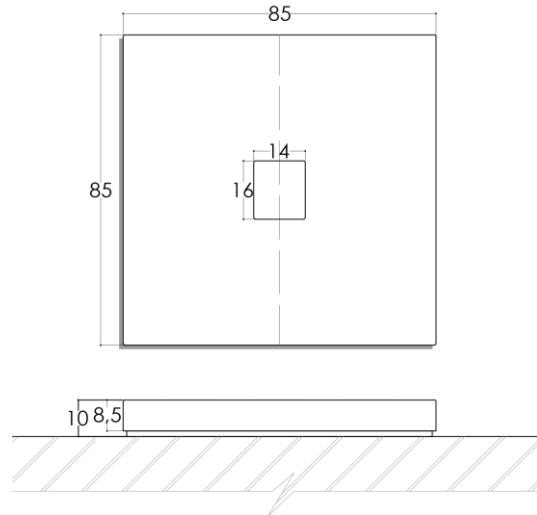
Windows opening : 1 round hole

### Caractéristiques

Matière : laiton massif.

Fenêtre : 1 ouverture ronde

| Ref.     | Finish                   | Finition          | Effect | Effet    |
|----------|--------------------------|-------------------|--------|----------|
| PSI001LM | Polished mirror brass    | Laiton miroir     | Shiny  | Brillant |
| PSI001LB | Brushed brass            | Laiton brossé     | Matt   | Mat      |
| PSI001LS | Microbilled/satin brass  | Laiton microbillé | Satin  | Satin    |
| PSI001VO | Antique/old gold         | Vieil or          | Matt   | Mat      |
| PSI001BM | Medium bronze            | Bronze moyen      | Matt   | Mat      |
| PSI001BR | Dark bronze              | Bronze noir       | Shiny  | Brillant |
| PSI001BZ | Grey bronze              | Bronze gris       | Matt   | Mat      |
| PSI001NM | Polished mirror nickel   | Nickel miroir     | Shiny  | Brillant |
| PSI001NB | Brushed nickel           | Nickel brossé     | Matt   | Mat      |
| PSI001NS | Microbilled/satin nickel | Nickel brossé     | Matt   | Mat      |
| PSI001CH | Polished mirror chrome   | Chrome miroir     | Shiny  | Brillant |
| PSI001RO | Brushed copper           | Cuivre brossé     | Matt   | Mat      |
| PSI001RA | RAL code 9003            | RAL codes 9003    | Matt   | Mat      |
| PSI001OR | 24K gold                 | 24K or            | Shiny  | Brillant |
| PSI001OM | 24K microbilled gold     | microbillé 24K or | Satin  | Satin    |



# SIAM

## FRONT PLATE

## FACE AVANT

### Description

Material : full brass.

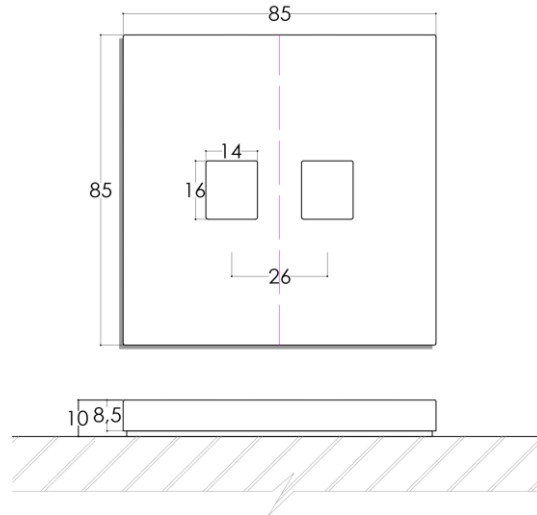
Windows opening : 1 rectangular hole

### Caractéristiques

Matière : laiton massif.

Fenêtre : 1 ouverture rectangulaire

| Ref.     | Finish                   | Finition          | Effect | Effet    |
|----------|--------------------------|-------------------|--------|----------|
| PSI002LM | Polished mirror brass    | Laiton miroir     | Shiny  | Brillant |
| PSI002LB | Brushed brass            | Laiton brossé     | Matt   | Mat      |
| PSI002LS | Microbilled/satin brass  | Laiton microbillé | Satin  | Satin    |
| PSI002VO | Antique/old gold         | Vieil or          | Matt   | Mat      |
| PSI002BM | Medium bronze            | Bronze moyen      | Matt   | Mat      |
| PSI002BR | Dark bronze              | Bronze noir       | Shiny  | Brillant |
| PSI002BZ | Grey bronze              | Bronze gris       | Matt   | Mat      |
| PSI002NM | Polished mirror nickel   | Nickel miroir     | Shiny  | Brillant |
| PSI002NB | Brushed nickel           | Nickel brossé     | Matt   | Mat      |
| PSI002NS | Microbilled/satin nickel | Nickel brossé     | Matt   | Mat      |
| PSI002CH | Polished mirror chrome   | Chrome miroir     | Shiny  | Brillant |
| PSI002RO | Brushed copper           | Cuivre brossé     | Matt   | Mat      |
| PSI002RA | RAL code 9003            | RAL codes 9003    | Matt   | Mat      |
| PSI002OR | 24K gold                 | 24K or            | Shiny  | Brillant |
| PSI002OM | 24K microbilled gold     | microbillé 24K or | Satin  | Satin    |



# SIAM

## FRONT PLATE

## FACE AVANT

### Description

Material : full brass.

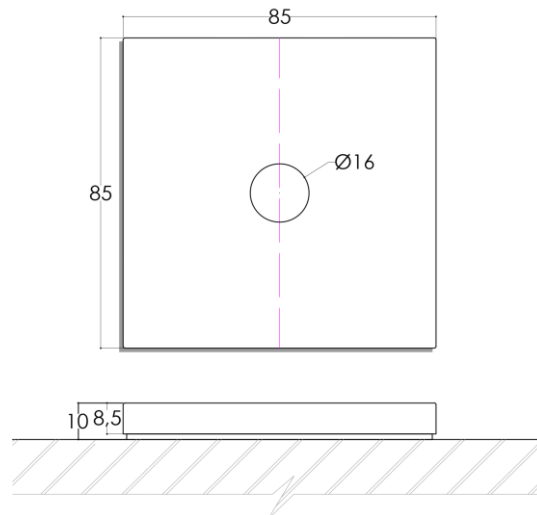
Windows opening : 2 rectangular holes

### Caractéristiques

Matière : laiton massif.

Fenêtre : 2 ouvertures rectangulaires

| Ref.     | Finish                   | Finition          | Effect | Effet    |
|----------|--------------------------|-------------------|--------|----------|
| PSI003LM | Polished mirror brass    | Laiton miroir     | Shiny  | Brillant |
| PSI003LB | Brushed brass            | Laiton brossé     | Matt   | Mat      |
| PSI003LS | Microbilled/satin brass  | Laiton microbillé | Satin  | Satin    |
| PSI003VO | Antique/old gold         | Vieil or          | Matt   | Mat      |
| PSI003BM | Medium bronze            | Bronze moyen      | Matt   | Mat      |
| PSI003BR | Dark bronze              | Bronze noir       | Shiny  | Brillant |
| PSI003BZ | Grey bronze              | Bronze gris       | Matt   | Mat      |
| PSI003NM | Polished mirror nickel   | Nickel miroir     | Shiny  | Brillant |
| PSI003NB | Brushed nickel           | Nickel brossé     | Matt   | Mat      |
| PSI003NS | Microbilled/satin nickel | Nickel brossé     | Matt   | Mat      |
| PSI003CH | Polished mirror chrome   | Chrome miroir     | Shiny  | Brillant |
| PSI003RO | Brushed copper           | Cuivre brossé     | Matt   | Mat      |
| PSI003RA | RAL code 9003            | RAL codes 9003    | Matt   | Mat      |
| PSI003OR | 24K gold                 | 24K or            | Shiny  | Brillant |
| PSI003OM | 24K microbilled gold     | microbillé 24K or | Satin  | Satin    |



# SIAM

## FRONT PLATE

## FACE AVANT

### Description

Material : full brass.

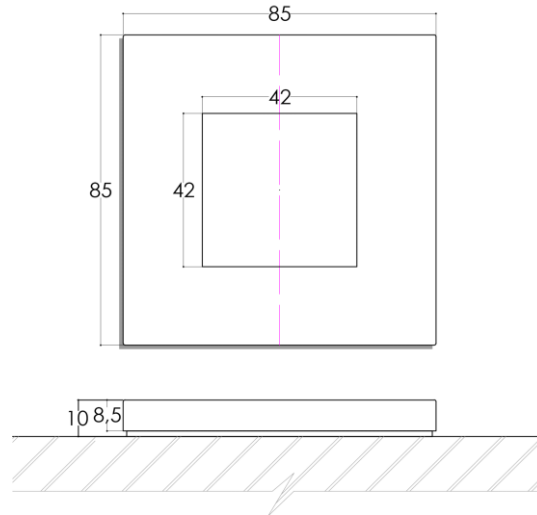
Windows opening : 1 round hole

### Caractéristiques

Matière : laiton massif.

Fenêtre : 1 ouverture ronde

| Ref.     | Finish                   | Finition          | Effect | Effet    |
|----------|--------------------------|-------------------|--------|----------|
| PSI004LM | Polished mirror brass    | Laiton miroir     | Shiny  | Brillant |
| PSI004LB | Brushed brass            | Laiton brossé     | Matt   | Mat      |
| PSI004LS | Microbilled/satin brass  | Laiton microbillé | Satin  | Satin    |
| PSI004VO | Antique/old gold         | Vieil or          | Matt   | Mat      |
| PSI004BM | Medium bronze            | Bronze moyen      | Matt   | Mat      |
| PSI004BR | Dark bronze              | Bronze noir       | Shiny  | Brillant |
| PSI004BZ | Grey bronze              | Bronze gris       | Matt   | Mat      |
| PSI004NM | Polished mirror nickel   | Nickel miroir     | Shiny  | Brillant |
| PSI004NB | Brushed nickel           | Nickel brossé     | Matt   | Mat      |
| PSI004NS | Microbilled/satin nickel | Nickel brossé     | Matt   | Mat      |
| PSI004CH | Polished mirror chrome   | Chrome miroir     | Shiny  | Brillant |
| PSI004RO | Brushed copper           | Cuivre brossé     | Matt   | Mat      |
| PSI004RA | RAL code 9003            | RAL codes 9003    | Matt   | Mat      |
| PSI004OR | 24K gold                 | 24K or            | Shiny  | Brillant |
| PSI004OM | 24K microbilled gold     | microbillé 24K or | Satin  | Satin    |



# SIAM

## FRONT PLATE

### FACE AVANT

#### Description

Material : full brass.

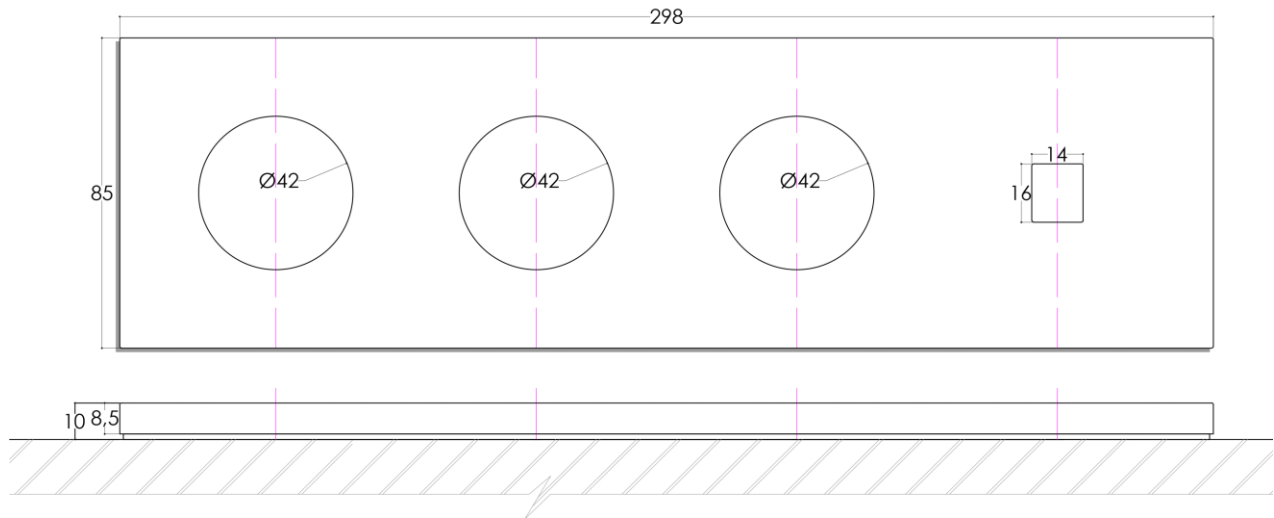
Windows opening : 1 square hole

#### Caractéristiques

Matière : laiton massif.

Fenêtre : 1 ouverture carré

| Ref.     | Finish                   | Finition          | Effect | Effet    |
|----------|--------------------------|-------------------|--------|----------|
| PSI006LM | Polished mirror brass    | Laiton miroir     | Shiny  | Brillant |
| PSI006LB | Brushed brass            | Laiton brossé     | Matt   | Mat      |
| PSI006LS | Microbilled/satin brass  | Laiton microbillé | Satin  | Satin    |
| PSI006VO | Antique/old gold         | Vieil or          | Matt   | Mat      |
| PSI006BM | Medium bronze            | Bronze moyen      | Matt   | Mat      |
| PSI006BR | Dark bronze              | Bronze noir       | Shiny  | Brillant |
| PSI006BZ | Grey bronze              | Bronze gris       | Matt   | Mat      |
| PSI006NM | Polished mirror nickel   | Nickel miroir     | Shiny  | Brillant |
| PSI006NB | Brushed nickel           | Nickel brossé     | Matt   | Mat      |
| PSI006NS | Microbilled/satin nickel | Nickel brossé     | Matt   | Mat      |
| PSI006CH | Polished mirror chrome   | Chrome miroir     | Shiny  | Brillant |
| PSI006RO | Brushed copper           | Cuivre brossé     | Matt   | Mat      |
| PSI006RA | RAL code 9003            | RAL codes 9003    | Matt   | Mat      |
| PSI006OR | 24K gold                 | 24K or            | Shiny  | Brillant |
| PSI006OM | 24K microbilled gold     | microbillé 24K or | Satin  | Satin    |



# SIAM

## FRONT PLATE

### FACE AVANT

#### Description

Material : full brass.

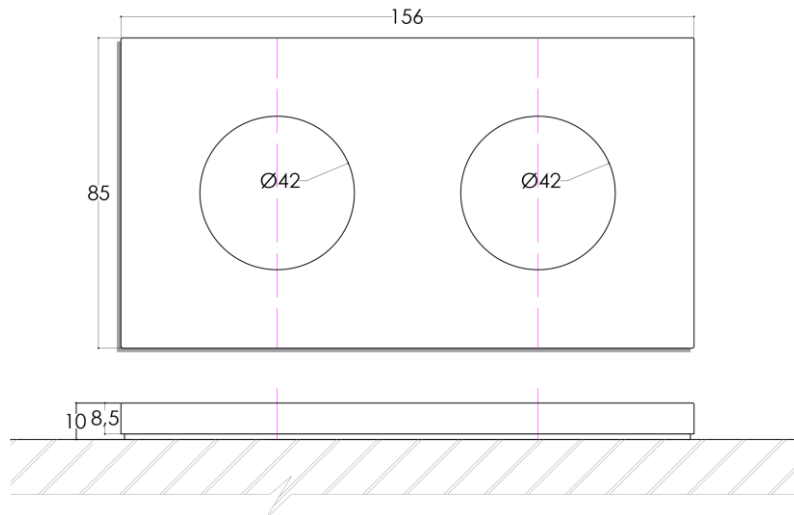
Windows opening : 3 round hole + 1 rectangular hole.

#### Caractéristiques

Matière : laiton massif.

Fenêtre : 3 ouvertures rondes + 1 ouverture rectangulaire.

| Ref.      | Finish                   | Finition          | Effect | Effet    |
|-----------|--------------------------|-------------------|--------|----------|
| PSI008LMH | Polished mirror brass    | Laiton miroir     | Shiny  | Brillant |
| PSI008LBH | Brushed brass            | Laiton brossé     | Matt   | Mat      |
| PSI008LSH | Microbilled/satin brass  | Laiton microbillé | Satin  | Satin    |
| PSI008VOH | Antique/old gold         | Vieil or          | Matt   | Mat      |
| PSI008BMH | Medium bronze            | Bronze moyen      | Matt   | Mat      |
| PSI008BRH | Dark bronze              | Bronze noir       | Shiny  | Brillant |
| PSI008BZH | Grey bronze              | Bronze gris       | Matt   | Mat      |
| PSI008NMH | Polished mirror nickel   | Nickel miroir     | Shiny  | Brillant |
| PSI008NBH | Brushed nickel           | Nickel brossé     | Matt   | Mat      |
| PSI008NSH | Microbilled/satin nickel | Nickel brossé     | Matt   | Mat      |
| PSI008CHH | Polished mirror chrome   | Chrome miroir     | Shiny  | Brillant |
| PSI008ROH | Brushed copper           | Cuivre brossé     | Matt   | Mat      |
| PSI008RAH | RAL code 9003            | RAL codes 9003    | Matt   | Mat      |
| PSI008ORH | 24K gold                 | 24K or            | Shiny  | Brillant |
| PSI008OMH | 24K microbilled gold     | microbillé 24K or | Satin  | Satin    |



# SIAM

## FRONT PLATE

### FACE AVANT

#### Description

Material : full brass.

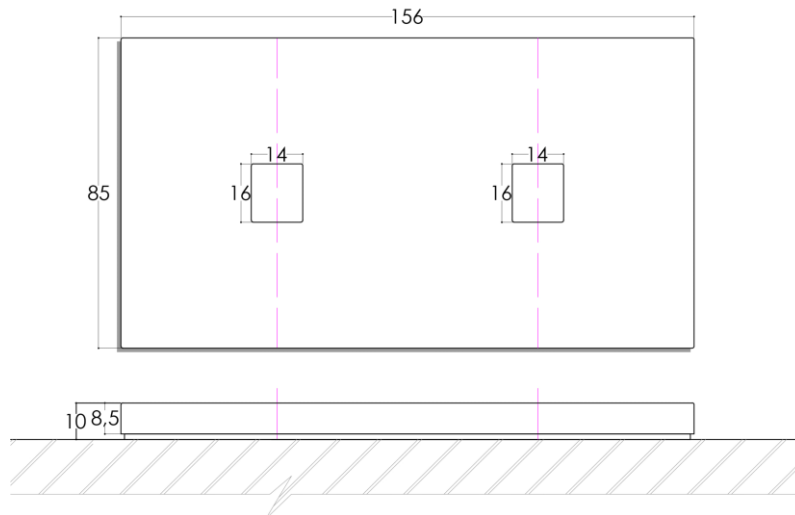
Windows opening : 2 round holes

#### Caractéristiques

Matière : laiton massif.

Fenêtre : 2 ouvertures rondes

| Ref.      | Finish                   | Finition          | Effect | Effet    |
|-----------|--------------------------|-------------------|--------|----------|
| PSI009LMH | Polished mirror brass    | Laiton miroir     | Shiny  | Brillant |
| PSI009LBH | Brushed brass            | Laiton brossé     | Matt   | Mat      |
| PSI009LSH | Microbilled/satin brass  | Laiton microbillé | Satin  | Satin    |
| PSI009VOH | Antique/old gold         | Vieil or          | Matt   | Mat      |
| PSI009BMH | Medium bronze            | Bronze moyen      | Matt   | Mat      |
| PSI009BRH | Dark bronze              | Bronze noir       | Shiny  | Brillant |
| PSI009BZH | Grey bronze              | Bronze gris       | Matt   | Mat      |
| PSI009NMH | Polished mirror nickel   | Nickel miroir     | Shiny  | Brillant |
| PSI009NBH | Brushed nickel           | Nickel brossé     | Matt   | Mat      |
| PSI009NSH | Microbilled/satin nickel | Nickel brossé     | Matt   | Mat      |
| PSI009CHH | Polished mirror chrome   | Chrome miroir     | Shiny  | Brillant |
| PSI009ROH | Brushed copper           | Cuivre brossé     | Matt   | Mat      |
| PSI009RAH | RAL code 9003            | RAL codes 9003    | Matt   | Mat      |
| PSI009ORH | 24K gold                 | 24K or            | Shiny  | Brillant |
| PSI009OMH | 24K microbilled gold     | microbillé 24K or | Satin  | Satin    |



# SIAM

## FRONT PLATE

### FACE AVANT

#### Description

Material : full brass.

Windows opening : 2 rectangular holes.

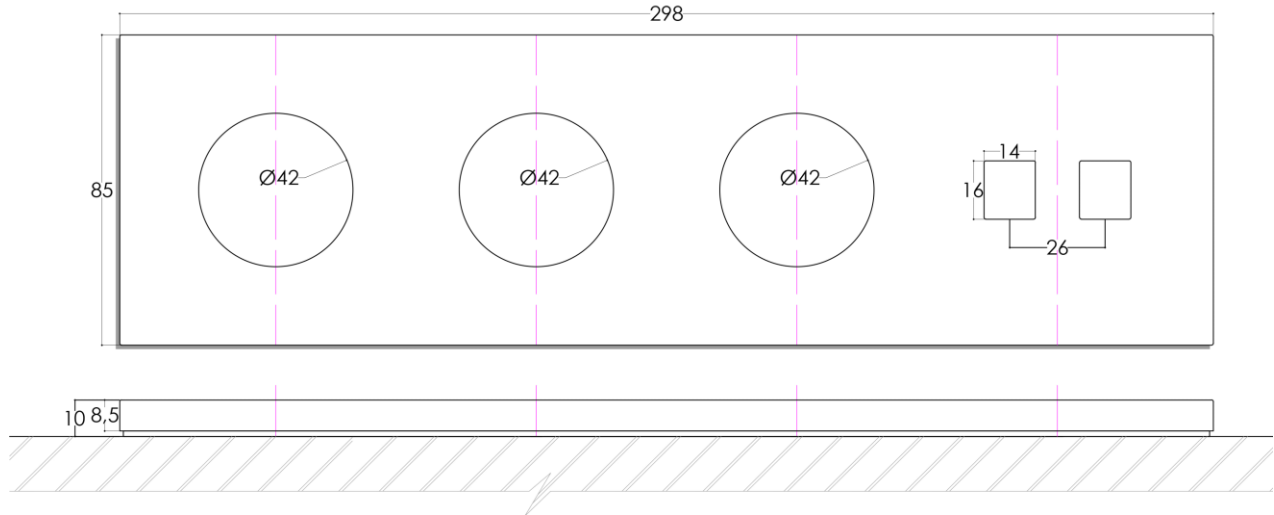
#### Caractéristiques

Matière : laiton massif.

Fenêtre : 2 ouvertures rectangulaires.

| Ref.      | Finish                   | Finition          | Effect | Effet    |
|-----------|--------------------------|-------------------|--------|----------|
| PSI010LMH | Polished mirror brass    | Laiton miroir     | Shiny  | Brillant |
| PSI010LBH | Brushed brass            | Laiton brossé     | Matt   | Mat      |
| PSI010LSH | Microbilled/satin brass  | Laiton microbillé | Satin  | Satin    |
| PSI010VOH | Antique/old gold         | Vieil or          | Matt   | Mat      |
| PSI010BMH | Medium bronze            | Bronze moyen      | Matt   | Mat      |
| PSI010BRH | Dark bronze              | Bronze noir       | Shiny  | Brillant |
| PSI010BZH | Grey bronze              | Bronze gris       | Matt   | Mat      |
| PSI010NMH | Polished mirror nickel   | Nickel miroir     | Shiny  | Brillant |
| PSI010NBH | Brushed nickel           | Nickel brossé     | Matt   | Mat      |
| PSI010NSH | Microbilled/satin nickel | Nickel brossé     | Matt   | Mat      |
| PSI010CHH | Polished mirror chrome   | Chrome miroir     | Shiny  | Brillant |
| PSI010ROH | Brushed copper           | Cuivre brossé     | Matt   | Mat      |
| PSI010RAH | RAL code 9003            | RAL codes 9003    | Matt   | Mat      |
| PSI010ORH | 24K gold                 | 24K or            | Shiny  | Brillant |
| PSI010OMH | 24K microbilled gold     | microbillé 24K or | Satin  | Satin    |





# SIAM

## FRONT PLATE

## FACE AVANT

### Description

Material : full brass.

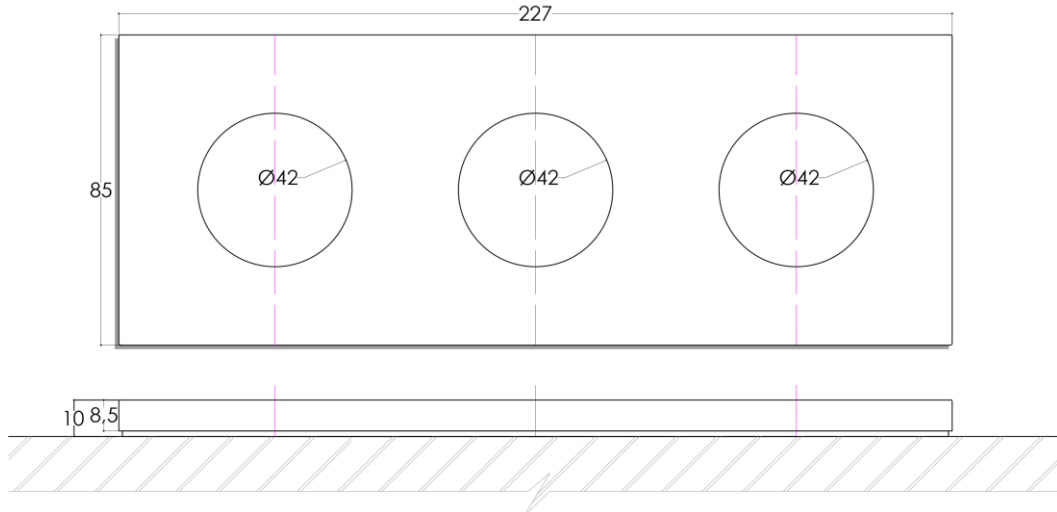
Windows opening : 3 round holes + 2 rectangular hole.

### Caractéristiques

Matière : laiton massif.

Fenêtre : 3 ouvertures rondes + 2 ouvertures rectangulaires.

| Ref.      | Finish                   | Finition          | Effect | Effet    |
|-----------|--------------------------|-------------------|--------|----------|
| PSI012LMH | Polished mirror brass    | Laiton miroir     | Shiny  | Brillant |
| PSI012LBH | Brushed brass            | Laiton brossé     | Matt   | Mat      |
| PSI012LSH | Microbilled/satin brass  | Laiton microbillé | Satin  | Satin    |
| PSI012VOH | Antique/old gold         | Vieil or          | Matt   | Mat      |
| PSI012BMH | Medium bronze            | Bronze moyen      | Matt   | Mat      |
| PSI012BRH | Dark bronze              | Bronze noir       | Shiny  | Brillant |
| PSI012BZH | Grey bronze              | Bronze gris       | Matt   | Mat      |
| PSI012NMH | Polished mirror nickel   | Nickel miroir     | Shiny  | Brillant |
| PSI012NBH | Brushed nickel           | Nickel brossé     | Matt   | Mat      |
| PSI012NSH | Microbilled/satin nickel | Nickel brossé     | Matt   | Mat      |
| PSI012CHH | Polished mirror chrome   | Chrome miroir     | Shiny  | Brillant |
| PSI012ROH | Brushed copper           | Cuivre brossé     | Matt   | Mat      |
| PSI012RAH | RAL code 9003            | RAL codes 9003    | Matt   | Mat      |
| PSI012ORH | 24K gold                 | 24K or            | Shiny  | Brillant |
| PSI012OMH | 24K microbilled gold     | microbillé 24K or | Satin  | Satin    |



# SIAM

## FRONT PLATE

## FACE AVANT

### Description

Material : full brass.

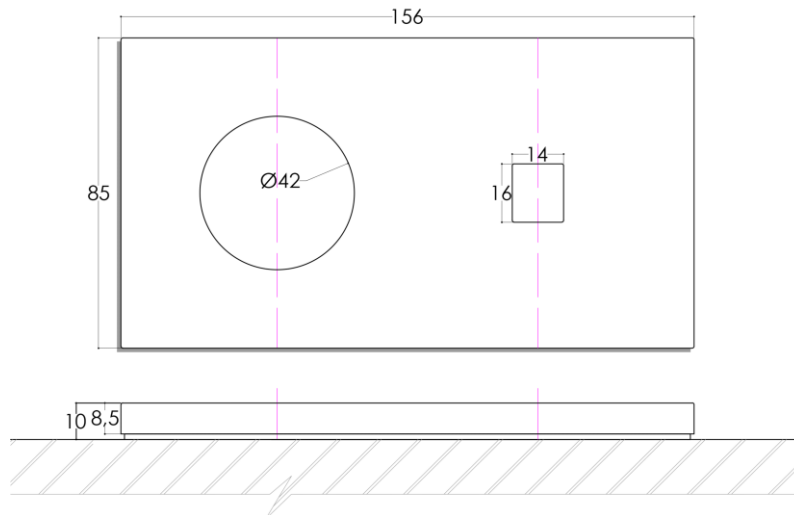
Windows opening : 3 round holes.

### Caractéristiques

Matière : laiton massif.

Fenêtre : 3 ouvertures rondes.

| Ref.      | Finish                   | Finition          | Effect | Effet    |
|-----------|--------------------------|-------------------|--------|----------|
| PSI014LMH | Polished mirror brass    | Laiton miroir     | Shiny  | Brillant |
| PSI014LBH | Brushed brass            | Laiton brossé     | Matt   | Mat      |
| PSI014LSH | Microbilled/satin brass  | Laiton microbillé | Satin  | Satin    |
| PSI014VOH | Antique/old gold         | Vieil or          | Matt   | Mat      |
| PSI014BMH | Medium bronze            | Bronze moyen      | Matt   | Mat      |
| PSI014BRH | Dark bronze              | Bronze noir       | Shiny  | Brillant |
| PSI014BZH | Grey bronze              | Bronze gris       | Matt   | Mat      |
| PSI014NMH | Polished mirror nickel   | Nickel miroir     | Shiny  | Brillant |
| PSI014NBH | Brushed nickel           | Nickel brossé     | Matt   | Mat      |
| PSI014NSH | Microbilled/satin nickel | Nickel brossé     | Matt   | Mat      |
| PSI014CHH | Polished mirror chrome   | Chrome miroir     | Shiny  | Brillant |
| PSI014ROH | Brushed copper           | Cuivre brossé     | Matt   | Mat      |
| PSI014RAH | RAL code 9003            | RAL codes 9003    | Matt   | Mat      |
| PSI014ORH | 24K gold                 | 24K or            | Shiny  | Brillant |
| PSI014OMH | 24K microbilled gold     | microbillé 24K or | Satin  | Satin    |



# SIAM

## FRONT PLATE

### FACE AVANT

#### Description

Material : full brass.

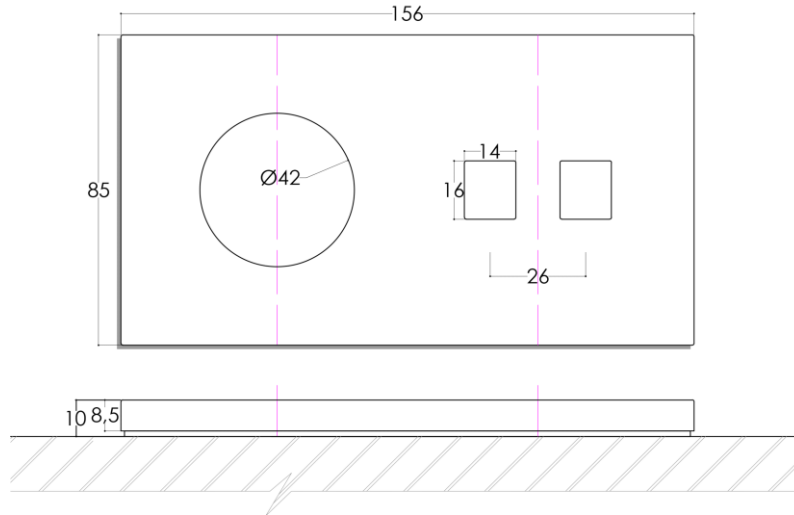
Windows opening : 1 round hole + 1 rectangular hole

#### Caractéristiques

Matière : laiton massif.

Fenêtre : 1 ouverture ronde + 1 ouverture rectangulaire

| Ref.      | Finish                   | Finition          | Effect | Effet    |
|-----------|--------------------------|-------------------|--------|----------|
| PSI019LMH | Polished mirror brass    | Laiton miroir     | Shiny  | Brillant |
| PSI019LBH | Brushed brass            | Laiton brossé     | Matt   | Mat      |
| PSI019LSH | Microbilled/satin brass  | Laiton microbillé | Satin  | Satin    |
| PSI019VOH | Antique/old gold         | Vieil or          | Matt   | Mat      |
| PSI019BMH | Medium bronze            | Bronze moyen      | Matt   | Mat      |
| PSI019BRH | Dark bronze              | Bronze noir       | Shiny  | Brillant |
| PSI019BZH | Grey bronze              | Bronze gris       | Matt   | Mat      |
| PSI019NMH | Polished mirror nickel   | Nickel miroir     | Shiny  | Brillant |
| PSI019NBH | Brushed nickel           | Nickel brossé     | Matt   | Mat      |
| PSI019NSH | Microbilled/satin nickel | Nickel brossé     | Matt   | Mat      |
| PSI019CHH | Polished mirror chrome   | Chrome miroir     | Shiny  | Brillant |
| PSI019ROH | Brushed copper           | Cuivre brossé     | Matt   | Mat      |
| PSI019RAH | RAL code 9003            | RAL codes 9003    | Matt   | Mat      |
| PSI019ORH | 24K gold                 | 24K or            | Shiny  | Brillant |
| PSI019OMH | 24K microbilled gold     | microbillé 24K or | Satin  | Satin    |



# SIAM

## FRONT PLATE

### FACE AVANT

#### Description

Material : full brass.

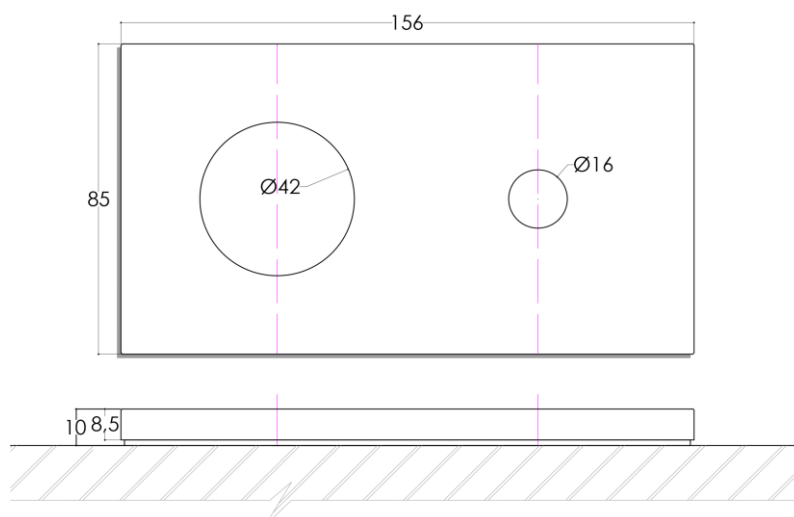
Windows opening : 1 round hole + 2 rectangular holes

#### Caractéristiques

Matière : laiton massif.

Fenêtre : 1 ouverture ronde + 2 ouvertures rectangulaires

| Ref.      | Finish                   | Finition          | Effect | Effet    |
|-----------|--------------------------|-------------------|--------|----------|
| PSI020LMH | Polished mirror brass    | Laiton miroir     | Shiny  | Brillant |
| PSI020LBH | Brushed brass            | Laiton brossé     | Matt   | Mat      |
| PSI020LSH | Microbilled/satin brass  | Laiton microbillé | Satin  | Satin    |
| PSI020VOH | Antique/old gold         | Vieil or          | Matt   | Mat      |
| PSI020BMH | Medium bronze            | Bronze moyen      | Matt   | Mat      |
| PSI020BRH | Dark bronze              | Bronze noir       | Shiny  | Brillant |
| PSI020BZH | Grey bronze              | Bronze gris       | Matt   | Mat      |
| PSI020NMH | Polished mirror nickel   | Nickel miroir     | Shiny  | Brillant |
| PSI020NBH | Brushed nickel           | Nickel brossé     | Matt   | Mat      |
| PSI020NSH | Microbilled/satin nickel | Nickel brossé     | Matt   | Mat      |
| PSI020CHH | Polished mirror chrome   | Chrome miroir     | Shiny  | Brillant |
| PSI020ROH | Brushed copper           | Cuivre brossé     | Matt   | Mat      |
| PSI020RAH | RAL code 9003            | RAL codes 9003    | Matt   | Mat      |
| PSI020ORH | 24K gold                 | 24K or            | Shiny  | Brillant |
| PSI020OMH | 24K microbilled gold     | microbillé 24K or | Satin  | Satin    |



# SIAM

## FRONT PLATE

### FACE AVANT

#### Description

Material : full brass.

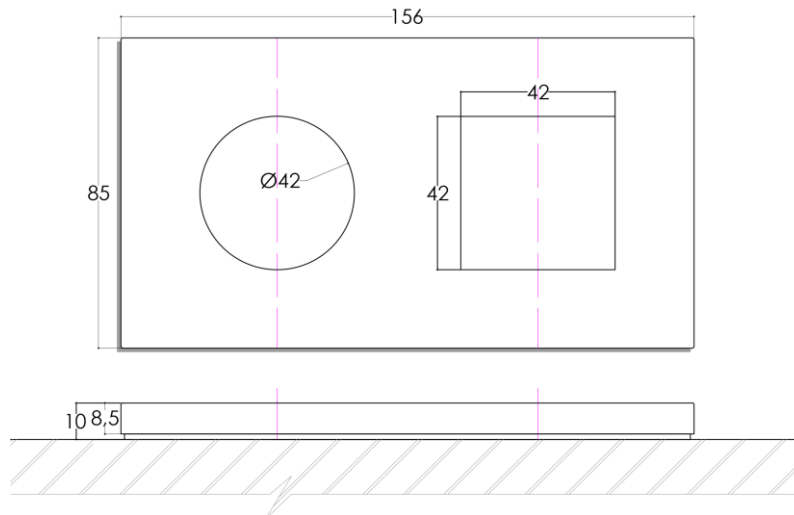
Windows opening : 1 round hole + 1 round hole

#### Caractéristiques

Matière : laiton massif.

Fenêtre : 1 ouverture ronde + 1 ouverture ronde

| Ref.      | Finish                   | Finition          | Effect | Effet    |
|-----------|--------------------------|-------------------|--------|----------|
| PSI021LMH | Polished mirror brass    | Laiton miroir     | Shiny  | Brillant |
| PSI021LBH | Brushed brass            | Laiton brossé     | Matt   | Mat      |
| PSI021LSH | Microbilled/satin brass  | Laiton microbillé | Satin  | Satin    |
| PSI021VOH | Antique/old gold         | Vieil or          | Matt   | Mat      |
| PSI021BMH | Medium bronze            | Bronze moyen      | Matt   | Mat      |
| PSI021BRH | Dark bronze              | Bronze noir       | Shiny  | Brillant |
| PSI021BZH | Grey bronze              | Bronze gris       | Matt   | Mat      |
| PSI021NMH | Polished mirror nickel   | Nickel miroir     | Shiny  | Brillant |
| PSI021NBH | Brushed nickel           | Nickel brossé     | Matt   | Mat      |
| PSI021NSH | Microbilled/satin nickel | Nickel brossé     | Matt   | Mat      |
| PSI021CHH | Polished mirror chrome   | Chrome miroir     | Shiny  | Brillant |
| PSI021ROH | Brushed copper           | Cuivre brossé     | Matt   | Mat      |
| PSI021RAH | RAL code 9003            | RAL codes 9003    | Matt   | Mat      |
| PSI021ORH | 24K gold                 | 24K or            | Shiny  | Brillant |
| PSI021OMH | 24K microbilled gold     | microbillé 24K or | Satin  | Satin    |



# SIAM

## FRONT PLATE

### FACE AVANT

#### Description

Material : full brass.

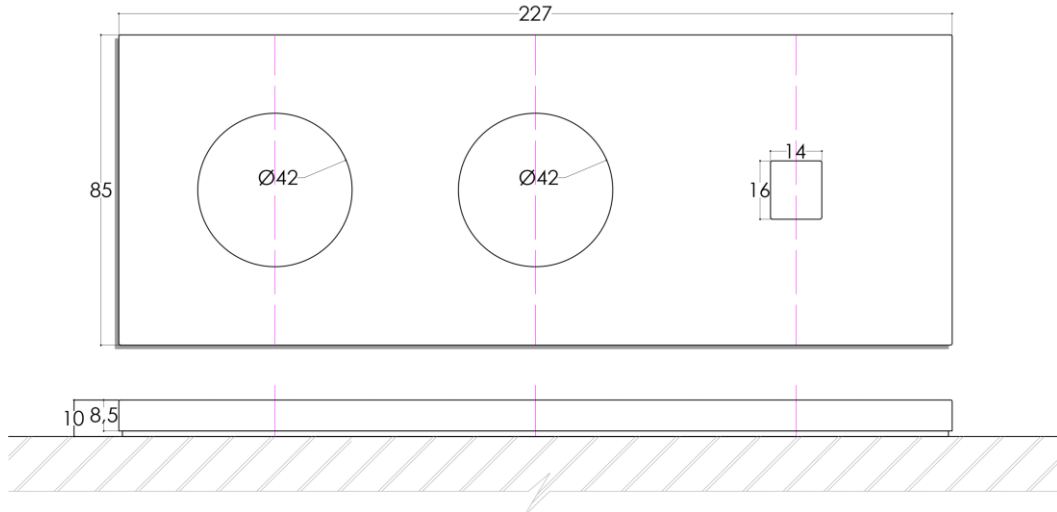
Windows opening : 1 round hole + 1 square hole

#### Caractéristiques

Matière : laiton massif.

Fenêtre : 1 ouverture ronde + 1 ouverture carré

| Ref.      | Finish                   | Finition          | Effect | Effet    |
|-----------|--------------------------|-------------------|--------|----------|
| PSI023LMH | Polished mirror brass    | Laiton miroir     | Shiny  | Brillant |
| PSI023LBH | Brushed brass            | Laiton brossé     | Matt   | Mat      |
| PSI023LSH | Microbilled/satin brass  | Laiton microbillé | Satin  | Satin    |
| PSI023VOH | Antique/old gold         | Vieil or          | Matt   | Mat      |
| PSI023BMH | Medium bronze            | Bronze moyen      | Matt   | Mat      |
| PSI023BRH | Dark bronze              | Bronze noir       | Shiny  | Brillant |
| PSI023BZH | Grey bronze              | Bronze gris       | Matt   | Mat      |
| PSI023NMH | Polished mirror nickel   | Nickel miroir     | Shiny  | Brillant |
| PSI023NBH | Brushed nickel           | Nickel brossé     | Matt   | Mat      |
| PSI023NSH | Microbilled/satin nickel | Nickel brossé     | Matt   | Mat      |
| PSI023CHH | Polished mirror chrome   | Chrome miroir     | Shiny  | Brillant |
| PSI023ROH | Brushed copper           | Cuivre brossé     | Matt   | Mat      |
| PSI023RAH | RAL code 9003            | RAL codes 9003    | Matt   | Mat      |
| PSI023ORH | 24K gold                 | 24K or            | Shiny  | Brillant |
| PSI023OMH | 24K microbilled gold     | microbillé 24K or | Satin  | Satin    |



# SIAM

## FRONT PLATE

### FACE AVANT

#### Description

Material : full brass.

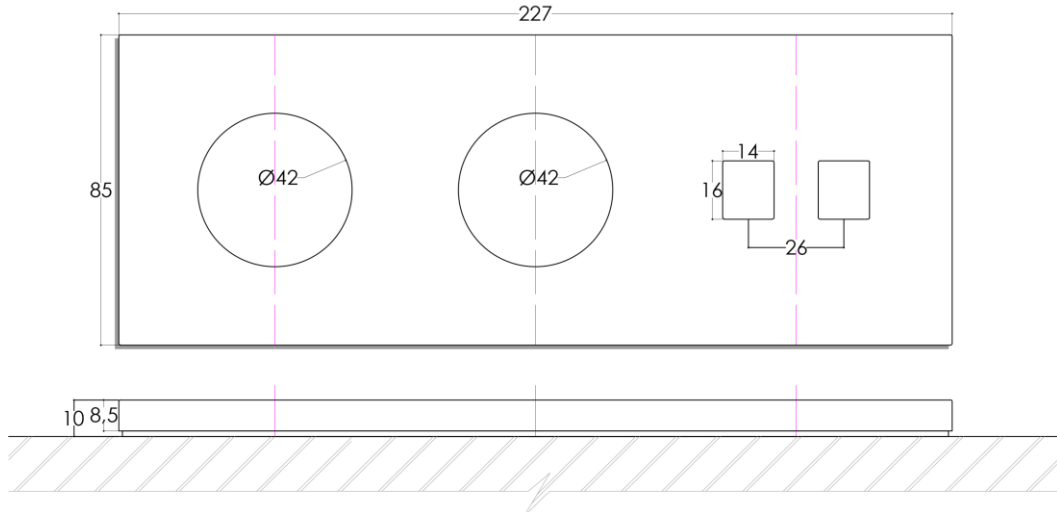
Windows opening : 2 round holes + 1 rectangular hole.

#### Caractéristiques

Matière : laiton massif.

Fenêtre : 2 ouvertures rondes + 1 ouverture rectangulaire.

| Ref.      | Finish                   | Finition          | Effect | Effet    |
|-----------|--------------------------|-------------------|--------|----------|
| PSI024LMH | Polished mirror brass    | Laiton miroir     | Shiny  | Brillant |
| PSI024LBH | Brushed brass            | Laiton brossé     | Matt   | Mat      |
| PSI024LSH | Microbilled/satin brass  | Laiton microbillé | Satin  | Satin    |
| PSI024VOH | Antique/old gold         | Vieil or          | Matt   | Mat      |
| PSI024BMH | Medium bronze            | Bronze moyen      | Matt   | Mat      |
| PSI024BRH | Dark bronze              | Bronze noir       | Shiny  | Brillant |
| PSI024BZH | Grey bronze              | Bronze gris       | Matt   | Mat      |
| PSI024NMH | Polished mirror nickel   | Nickel miroir     | Shiny  | Brillant |
| PSI024NBH | Brushed nickel           | Nickel brossé     | Matt   | Mat      |
| PSI024NSH | Microbilled/satin nickel | Nickel brossé     | Matt   | Mat      |
| PSI024CHH | Polished mirror chrome   | Chrome miroir     | Shiny  | Brillant |
| PSI024ROH | Brushed copper           | Cuivre brossé     | Matt   | Mat      |
| PSI024RAH | RAL code 9003            | RAL codes 9003    | Matt   | Mat      |
| PSI024ORH | 24K gold                 | 24K or            | Shiny  | Brillant |
| PSI024OMH | 24K microbilled gold     | microbillé 24K or | Satin  | Satin    |



# SIAM

## FRONT PLATE

### FACE AVANT

#### Description

Material : full brass.

Windows opening : 2 round holes + 2 rectangular holes.

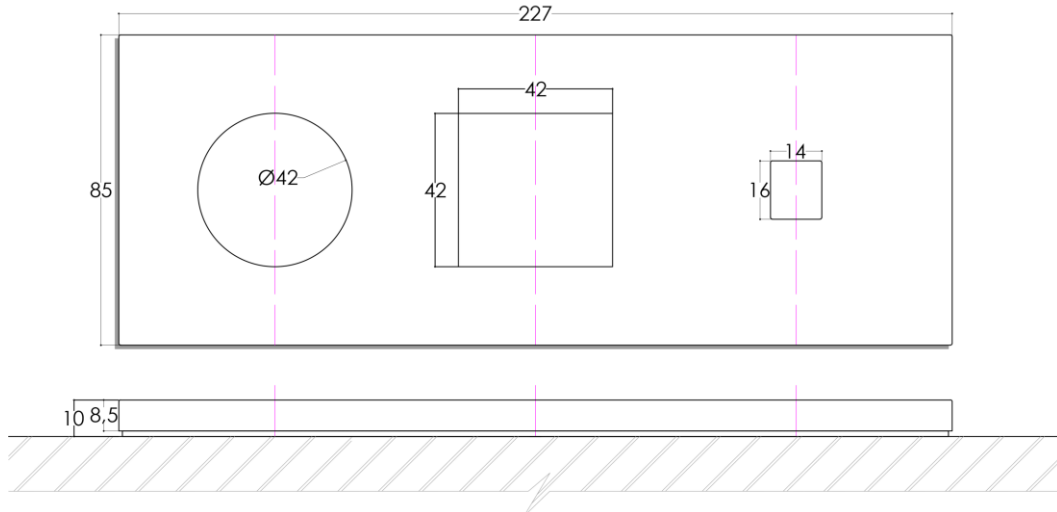
#### Caractéristiques

Matière : laiton massif.

Fenêtre : 2 ouvertures rondes + 2 ouvertures rectangulaires.

| Ref.      | Finish                   | Finition          | Effect | Effet    |
|-----------|--------------------------|-------------------|--------|----------|
| PSI028LMH | Polished mirror brass    | Laiton miroir     | Shiny  | Brillant |
| PSI028LBH | Brushed brass            | Laiton brossé     | Matt   | Mat      |
| PSI028LSH | Microbilled/satin brass  | Laiton microbillé | Satin  | Satin    |
| PSI028VOH | Antique/old gold         | Vieil or          | Matt   | Mat      |
| PSI028BMH | Medium bronze            | Bronze moyen      | Matt   | Mat      |
| PSI028BRH | Dark bronze              | Bronze noir       | Shiny  | Brillant |
| PSI028BZH | Grey bronze              | Bronze gris       | Matt   | Mat      |
| PSI028NMH | Polished mirror nickel   | Nickel miroir     | Shiny  | Brillant |
| PSI028NBH | Brushed nickel           | Nickel brossé     | Matt   | Mat      |
| PSI028NSH | Microbilled/satin nickel | Nickel brossé     | Matt   | Mat      |
| PSI028CHH | Polished mirror chrome   | Chrome miroir     | Shiny  | Brillant |
| PSI028ROH | Brushed copper           | Cuivre brossé     | Matt   | Mat      |
| PSI028RAH | RAL code 9003            | RAL codes 9003    | Matt   | Mat      |
| PSI028ORH | 24K gold                 | 24K or            | Shiny  | Brillant |
| PSI028OMH | 24K microbilled gold     | microbillé 24K or | Satin  | Satin    |





# SIAM

## FRONT PLATE

### FACE AVANT

#### Description

Material : full brass.

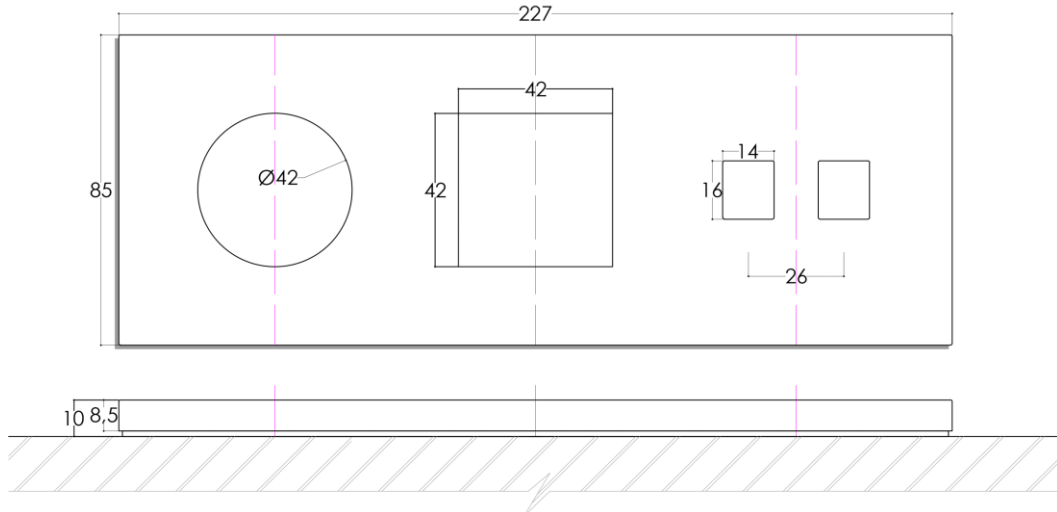
Windows opening : 1 round hole + 1 square hole + 1 rectangular hole

#### Caractéristiques

Matière : laiton massif.

Fenêtre : 1 ouverture ronde + 1 ouverture carré + 1 ouverture rectangulaire

| Ref.      | Finish                   | Finition          | Effect | Effet    |
|-----------|--------------------------|-------------------|--------|----------|
| PSI074LMH | Polished mirror brass    | Laiton miroir     | Shiny  | Brillant |
| PSI074LBH | Brushed brass            | Laiton brossé     | Matt   | Mat      |
| PSI074LSH | Microbilled/satin brass  | Laiton microbillé | Satin  | Satin    |
| PSI074VOH | Antique/old gold         | Vieil or          | Matt   | Mat      |
| PSI074BMH | Medium bronze            | Bronze moyen      | Matt   | Mat      |
| PSI074BRH | Dark bronze              | Bronze noir       | Shiny  | Brillant |
| PSI074BZH | Grey bronze              | Bronze gris       | Matt   | Mat      |
| PSI074NMH | Polished mirror nickel   | Nickel miroir     | Shiny  | Brillant |
| PSI074NBH | Brushed nickel           | Nickel brossé     | Matt   | Mat      |
| PSI074NSH | Microbilled/satin nickel | Nickel brossé     | Matt   | Mat      |
| PSI074CHH | Polished mirror chrome   | Chrome miroir     | Shiny  | Brillant |
| PSI074ROH | Brushed copper           | Cuivre brossé     | Matt   | Mat      |
| PSI074RAH | RAL code 9003            | RAL codes 9003    | Matt   | Mat      |
| PSI074ORH | 24K gold                 | 24K or            | Shiny  | Brillant |
| PSI074OMH | 24K microbilled gold     | microbillé 24K or | Satin  | Satin    |



# SIAM

## FRONT PLATE

## FACE AVANT

### Description

Material : full brass.

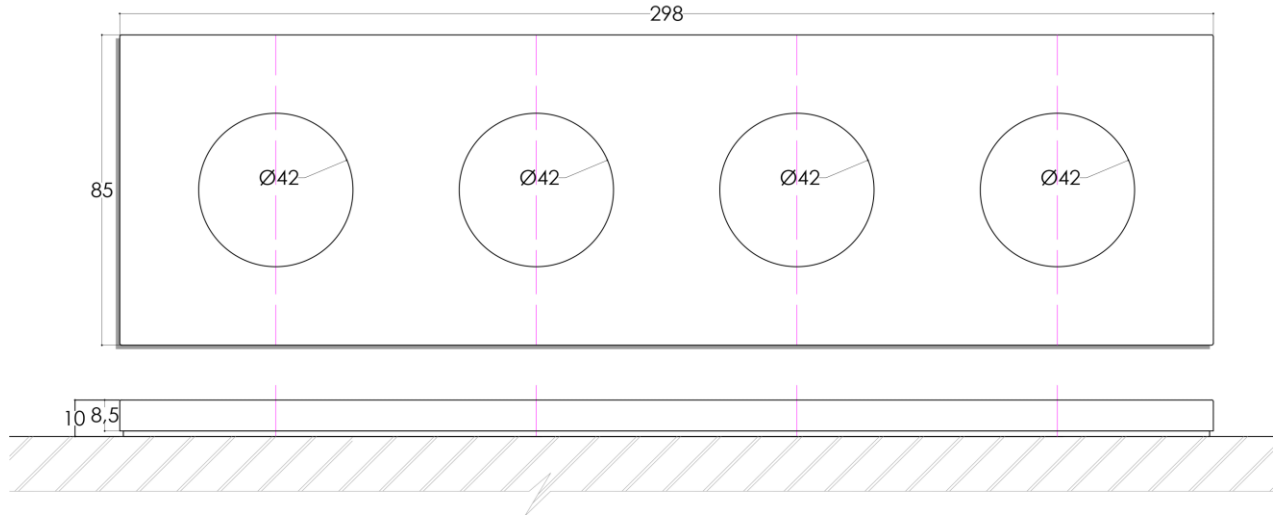
Windows opening : 1 round hole + 1 square hole + 1 rectangular hole

### Caractéristiques

Matière : laiton massif.

Fenêtre :

| Ref.      | Finish                   | Finition          | Effect | Effet    |
|-----------|--------------------------|-------------------|--------|----------|
| PSI196LMH | Polished mirror brass    | Laiton miroir     | Shiny  | Brillant |
| PSI196LBH | Brushed brass            | Laiton brossé     | Matt   | Mat      |
| PSI196LSH | Microbilled/satin brass  | Laiton microbillé | Satin  | Satin    |
| PSI196VOH | Antique/old gold         | Vieil or          | Matt   | Mat      |
| PSI196BMH | Medium bronze            | Bronze moyen      | Matt   | Mat      |
| PSI196BRH | Dark bronze              | Bronze noir       | Shiny  | Brillant |
| PSI196BZH | Grey bronze              | Bronze gris       | Matt   | Mat      |
| PSI196NMH | Polished mirror nickel   | Nickel miroir     | Shiny  | Brillant |
| PSI196NBH | Brushed nickel           | Nickel brossé     | Matt   | Mat      |
| PSI196NSH | Microbilled/satin nickel | Nickel brossé     | Matt   | Mat      |
| PSI196CHH | Polished mirror chrome   | Chrome miroir     | Shiny  | Brillant |
| PSI196ROH | Brushed copper           | Cuivre brossé     | Matt   | Mat      |
| PSI196RAH | RAL code 9003            | RAL codes 9003    | Matt   | Mat      |
| PSI196ORH | 24K gold                 | 24K or            | Shiny  | Brillant |
| PSI196OMH | 24K microbilled gold     | microbillé 24K or | Satin  | Satin    |



# SIAM

## FRONT PLATE

## FACE AVANT

### Description

Material : full brass.

Windows opening : 4 round holes.

### Caractéristiques

Matière : laiton massif.

Fenêtre : 4 ouvertures rondes.

| Ref.      | Finish                   | Finition          | Effect | Effet    |
|-----------|--------------------------|-------------------|--------|----------|
| PSI203LMH | Polished mirror brass    | Laiton miroir     | Shiny  | Brillant |
| PSI203LBH | Brushed brass            | Laiton brossé     | Matt   | Mat      |
| PSI203LSH | Microbilled/satin brass  | Laiton microbillé | Satin  | Satin    |
| PSI203VOH | Antique/old gold         | Vieil or          | Matt   | Mat      |
| PSI203BMH | Medium bronze            | Bronze moyen      | Matt   | Mat      |
| PSI203BRH | Dark bronze              | Bronze noir       | Shiny  | Brillant |
| PSI203BZH | Grey bronze              | Bronze gris       | Matt   | Mat      |
| PSI203NMH | Polished mirror nickel   | Nickel miroir     | Shiny  | Brillant |
| PSI203NBH | Brushed nickel           | Nickel brossé     | Matt   | Mat      |
| PSI203NSH | Microbilled/satin nickel | Nickel brossé     | Matt   | Mat      |
| PSI203CHH | Polished mirror chrome   | Chrome miroir     | Shiny  | Brillant |
| PSI203ROH | Brushed copper           | Cuivre brossé     | Matt   | Mat      |
| PSI203RAH | RAL code 9003            | RAL codes 9003    | Matt   | Mat      |
| PSI203ORH | 24K gold                 | 24K or            | Shiny  | Brillant |
| PSI203OMH | 24K microbilled gold     | microbillé 24K or | Satin  | Satin    |