

SIAM/SYDNEY

FRONT PLATE

FACE AVANT

Description

Material : full brass.

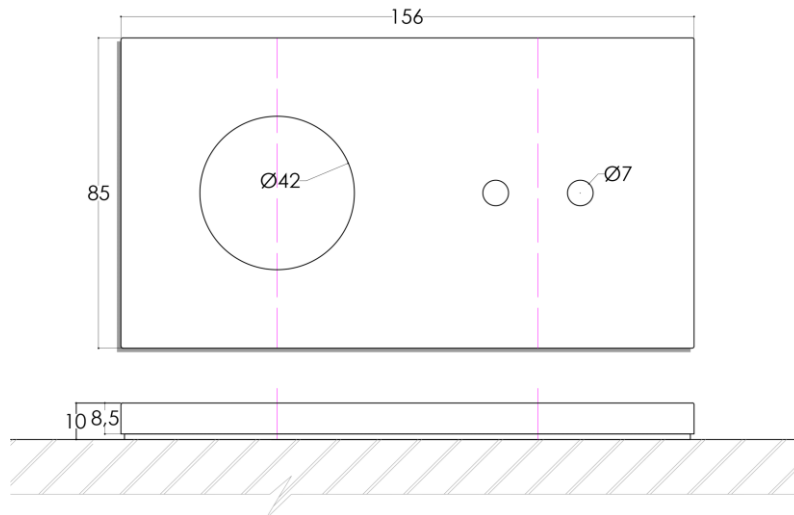
Windows opening : 1 round hole + 1 round hole for Sydney lever.

Caractéristiques

Matière : laiton massif.

Fenêtre : 1 ouverture ronde + 1 ouverture ronde pour levier Sydney.

| Ref. | Finish | Finition | Effect | Effet |
|-----------|--------------------------|-------------------|--------|----------|
| PSI031LMH | Polished mirror brass | Laiton miroir | Shiny | Brillant |
| PSI031LBH | Brushed brass | Laiton brossé | Matt | Mat |
| PSI031LSH | Microbilled/satin brass | Laiton microbillé | Satin | Satin |
| PSI031VOH | Antique/old gold | Vieil or | Matt | Mat |
| PSI031BMH | Medium bronze | Bronze moyen | Matt | Mat |
| PSI031BRH | Dark bronze | Bronze noir | Shiny | Brillant |
| PSI031BZH | Grey bronze | Bronze gris | Matt | Mat |
| PSI031NMH | Polished mirror nickel | Nickel miroir | Shiny | Brillant |
| PSI031NBH | Brushed nickel | Nickel brossé | Matt | Mat |
| PSI031NSH | Microbilled/satin nickel | Nickel brossé | Matt | Mat |
| PSI031CHH | Polished mirror chrome | Chrome miroir | Shiny | Brillant |
| PSI031ROH | Brushed copper | Cuivre brossé | Matt | Mat |
| PSI031RAH | RAL code 9003 | RAL codes 9003 | Matt | Mat |
| PSI031ORH | 24K gold | 24K or | Shiny | Brillant |
| PSI031OMH | 24K microbilled gold | microbillé 24K or | Satin | Satin |



SIAM/SYDNEY

FRONT PLATE

FACE AVANT

Description

Material : full brass.

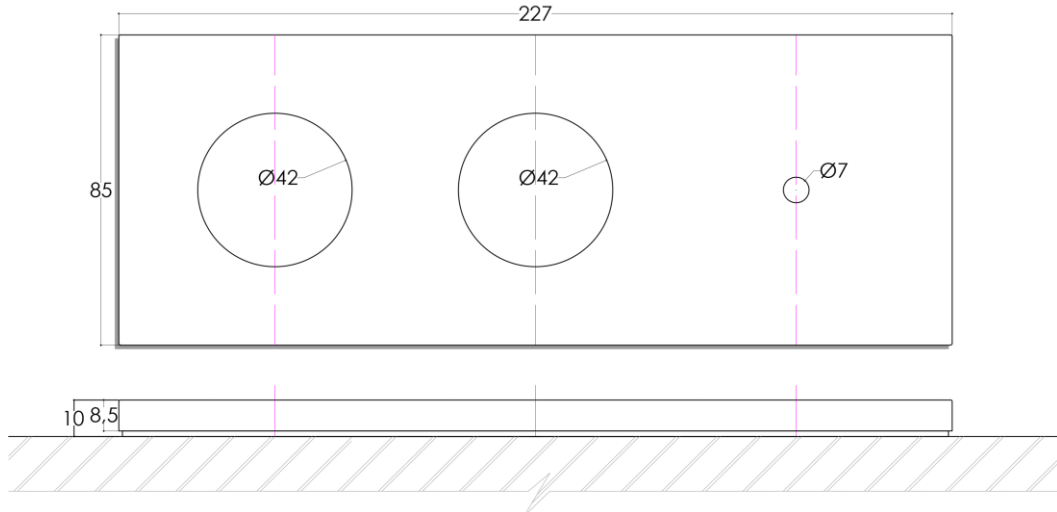
Windows opening : 1 round opening + 2 round holes for Sydney levers.

Caractéristiques

Matière : laiton massif.

Fenêtre : 1 ouverture ronde + 2 ouvertures rondes pour levier Sydney.

| Ref. | Finish | Finition | Effect | Effet |
|-----------|--------------------------|-------------------|--------|----------|
| PSI032LMH | Polished mirror brass | Laiton miroir | Shiny | Brillant |
| PSI032LBH | Brushed brass | Laiton brossé | Matt | Mat |
| PSI032LSH | Microbilled/satin brass | Laiton microbillé | Satin | Satin |
| PSI032VOH | Antique/old gold | Vieil or | Matt | Mat |
| PSI032BMH | Medium bronze | Bronze moyen | Matt | Mat |
| PSI032BRH | Dark bronze | Bronze noir | Shiny | Brillant |
| PSI032BZH | Grey bronze | Bronze gris | Matt | Mat |
| PSI032NMH | Polished mirror nickel | Nickel miroir | Shiny | Brillant |
| PSI032NBH | Brushed nickel | Nickel brossé | Matt | Mat |
| PSI032NSH | Microbilled/satin nickel | Nickel brossé | Matt | Mat |
| PSI032CHH | Polished mirror chrome | Chrome miroir | Shiny | Brillant |
| PSI032ROH | Brushed copper | Cuivre brossé | Matt | Mat |
| PSI032RAH | RAL code 9003 | RAL codes 9003 | Matt | Mat |
| PSI032ORH | 24K gold | 24K or | Shiny | Brillant |
| PSI032OMH | 24K microbilled gold | microbillé 24K or | Satin | Satin |



SIAM/SYDNEY

FRONT PLATE

FACE AVANT

Description

Material : full brass.

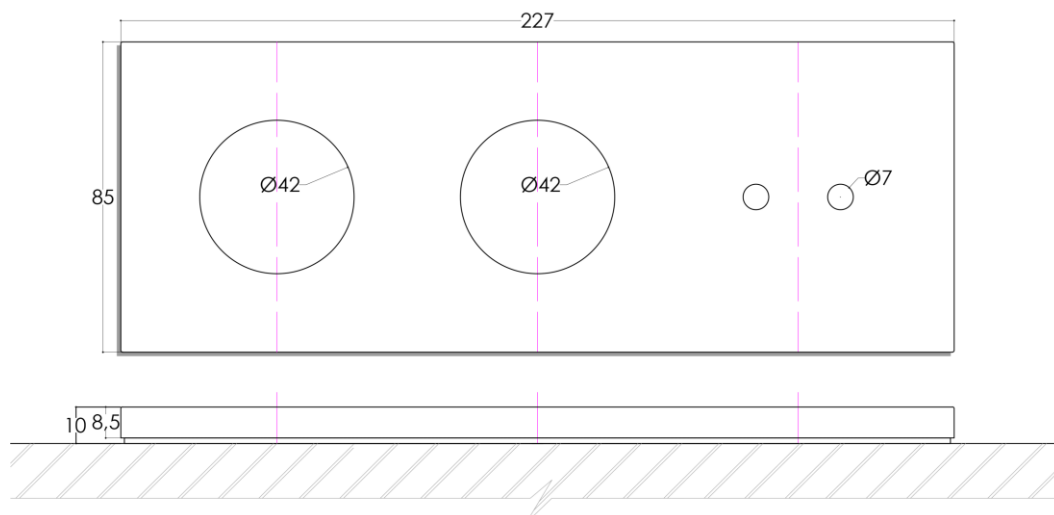
Windows opening : 2 round holes + 1 round hole for Sydney lever.

Caractéristiques

Matière : laiton massif.

Fenêtre : 2 ouvertures rondes + 1 ouverture ronde pour levier Sydney.

| Ref. | Finish | Finition | Effect | Effet |
|-----------|--------------------------|-------------------|--------|----------|
| PSI111LMH | Polished mirror brass | Laiton miroir | Shiny | Brillant |
| PSI111LBH | Brushed brass | Laiton brossé | Matt | Mat |
| PSI111LSH | Microbilled/satin brass | Laiton microbillé | Satin | Satin |
| PSI111VOH | Antique/old gold | Vieil or | Matt | Mat |
| PSI111BMH | Medium bronze | Bronze moyen | Matt | Mat |
| PSI111BRH | Dark bronze | Bronze noir | Shiny | Brillant |
| PSI111BZH | Grey bronze | Bronze gris | Matt | Mat |
| PSI111NMH | Polished mirror nickel | Nickel miroir | Shiny | Brillant |
| PSI111NBH | Brushed nickel | Nickel brossé | Matt | Mat |
| PSI111NSH | Microbilled/satin nickel | Nickel brossé | Matt | Mat |
| PSI111CHH | Polished mirror chrome | Chrome miroir | Shiny | Brillant |
| PSI111ROH | Brushed copper | Cuivre brossé | Matt | Mat |
| PSI111RAH | RAL code 9003 | RAL codes 9003 | Matt | Mat |
| PSI111ORH | 24K gold | 24K or | Shiny | Brillant |
| PSI111OMH | 24K microbilled gold | microbillé 24K or | Satin | Satin |



SIAM/SYDNEY

FRONT PLATE

FACE AVANT

Description

Material : full brass.

Windows opening : 2 round holes + 2 round holes for Sydney levers.

Caractéristiques

Matière : laiton massif.

Fenêtre : 2 ouvertures rondes + 2 ouvertures rondes pour leviers Sydney.

| Ref. | Finish | Finition | Effect | Effet |
|-----------|--------------------------|-------------------|--------|----------|
| PSI112LMH | Polished mirror brass | Laiton miroir | Shiny | Brillant |
| PSI112LBH | Brushed brass | Laiton brossé | Matt | Mat |
| PSI112LSH | Microbilled/satin brass | Laiton microbillé | Satin | Satin |
| PSI112VOH | Antique/old gold | Vieil or | Matt | Mat |
| PSI112BMH | Medium bronze | Bronze moyen | Matt | Mat |
| PSI112BRH | Dark bronze | Bronze noir | Shiny | Brillant |
| PSI112BZH | Grey bronze | Bronze gris | Matt | Mat |
| PSI112NMH | Polished mirror nickel | Nickel miroir | Shiny | Brillant |
| PSI112NBH | Brushed nickel | Nickel brossé | Matt | Mat |
| PSI112NSH | Microbilled/satin nickel | Nickel brossé | Matt | Mat |
| PSI112CHH | Polished mirror chrome | Chrome miroir | Shiny | Brillant |
| PSI112ROH | Brushed copper | Cuivre brossé | Matt | Mat |
| PSI112RAH | RAL code 9003 | RAL codes 9003 | Matt | Mat |
| PSI112ORH | 24K gold | 24K or | Shiny | Brillant |
| PSI112OMH | 24K microbilled gold | microbillé 24K or | Satin | Satin |